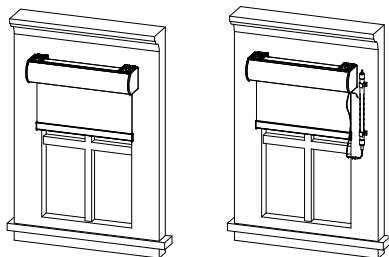
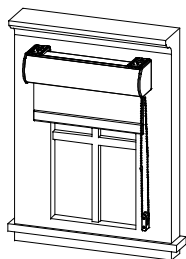


Installation Instructions for Roller Shade with Cassette



Cordless roller shade with Cassette

Motorized roller shade with Cassette



Manual roller shade with Cassette

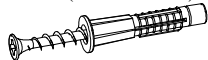

Recommended Tools:

- Screw gun/drill
- Tape measure
- Screwdriver
- Level ruler
- Pencil

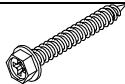
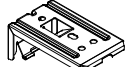

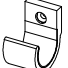
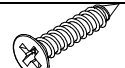


Fasteners needed for different mounting surfaces:

Mounting Surface	Fastener
Wood	1 1/4" hexagon screw (Provided)

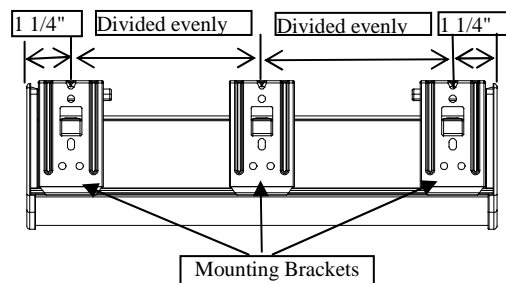
Drywall/Plaster	Wall Anchors, Expansion Bolts(Not Provided) 
Metal	Sheet Metal Screws (Not Provided) 

Hardware included:

Hardware	Picture	Usage
1 1/4" hexagon screw		Installing mounting bracket
mounting bracket		Mounting roller shade with cassette
2" flat head screw		Installing Safety tension device
Battery wand clip		Attaching battery wand
3/4" Screw		

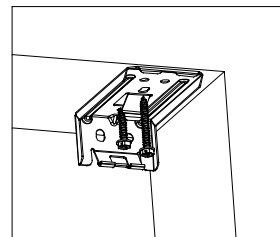
Bracket installation:

- Install one bracket on each end of the shade. The position of the center of brackets at two ends of the shade should be 1 1/4" from the left/right ends. If more than 2 brackets are needed, the distance between each 2 brackets should be even.



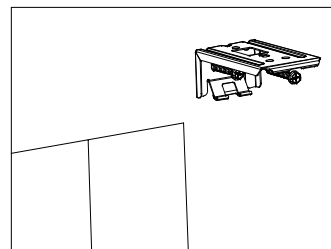
For Inside mount:

- When installing brackets, the distance from front mounting hole of brackets to the front edge of window frame should be more than 3/4". Ensure both of the mounting brackets are at the same horizontal line. Each bracket needs two 1 1/4" hexagon screws for installing. As shown below:

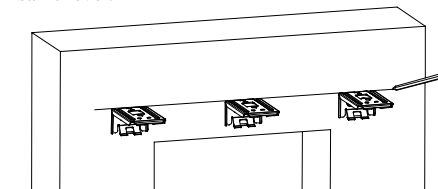


For Outside Mount:

- When installing brackets, the top of each bracket is parallel with the front edge of window frame. The distance from mounting holes of brackets to front edge of window frame should be more than 3/4". Both of the brackets should be at the same horizontal line. Each bracket needs two 1 1/4" hexagon screws for installing. As shown below:



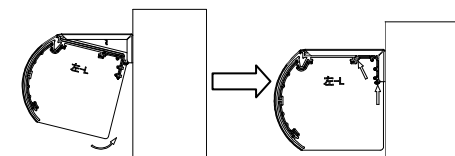
- Use level ruler to check if all brackets are on the same level.



Cassette installation or removal

● Installation:

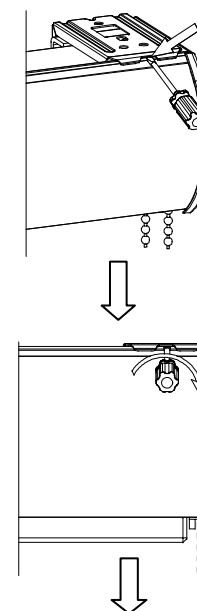
Hook the flange on front of the Cassette to the front mounting lip of the bracket, and then turn the Cassette upwards to make sure the flange on back of Cassette and the flange of the bracket cover clamp to the lower mounting lip of the bracket. As shown below:

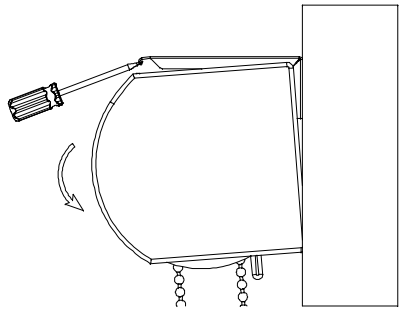


Note: when 3 mounting brackets are needed, it is suggested to install the shade to the middle bracket firstly, and then both ends of shade to the remaining brackets.

● removal (the same for both inside & outside mount)

Insert the end of a flat head screwdriver into the middle gap between top of Cassette and the bracket. Pry the screwdriver to release the Cassette from the bracket and remove the Cassette. As shown below:

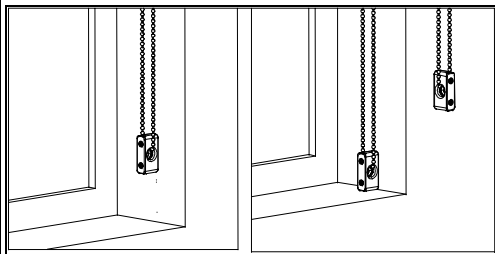




Note: when there are 3 mounting brackets, it is suggested to remove both ends of the shade firstly, and then detach the shade from the middle bracket.

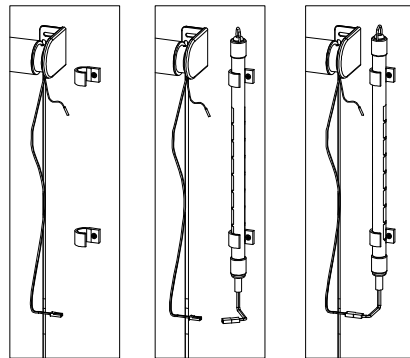
Install Safety Tension Device:

- The chain should be fully extended when attaching the safety tension device
- The safety tension device should be fixed by two 2" flat head screws.



Battery wand installation:

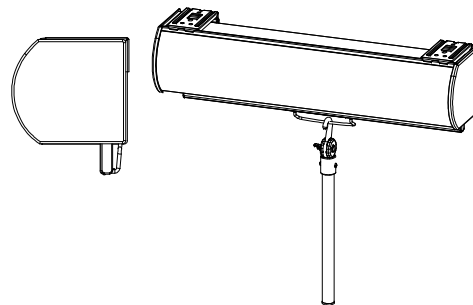
- Fix 2 battery wand clips to the wall next to shade in a vertical line, and then attach the battery wand to the clips.
- Load 8 AA batteries into the battery wand and snap the battery wand into the clips. Make sure the end cover of battery wand is on top.
- After both the shade and battery wand are installed, connect the power cord of the motor and the battery wand.



Cordless roller shade operation:

A. Lowering the shade:

- Grip the handle of the cordless roller shade and pull the shade down vertically until it stops.
- Normally, the handle of cordless roller shade will be on the back of the hem bar.
- When the shade is in a high position, the wand with a hook can be used to reach the handle and pull the shade down.



B. Raising the Shade

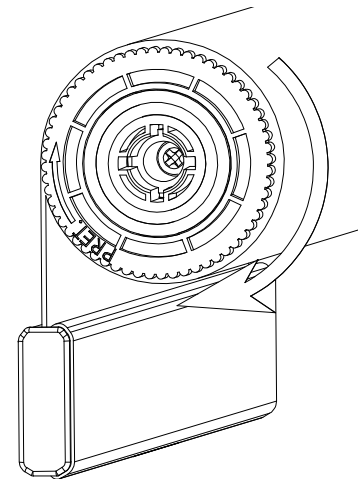
- Please note that the speed for shade to roll up cannot be too fast.
- To roll up the shade, pull the handle downward a little to release shade from locked state. **Make sure shade fabric stays vertical when rolling up, do**

not incline or twist, otherwise the shade will have telescoping (tracking) issues.

- Finally, release the handle and then the shade will roll up automatically.

Tension (Speed) Adjustment

- Generally, there is no need to adjust the speed of a new shade. Adjustment is needed when shade fails to roll up, rolls up too slowly or rolls up too fast.
- When the shade fails to roll up or rolls up too slowly, as shown below, rotate the Tension Dial clockwise (along the arrow) to increase the spring tension. If shade rolls up too fast, rotate the Tension Dial counter-clockwise to decrease the spring tension, the rolling speed can be adjusted as needed.



Attention:

Shade is heavy. Be careful during installation.