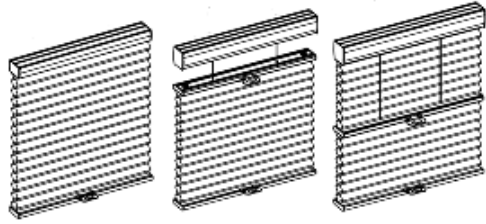


# Installation Instructions

## Honeycomb Shades

**Cordless, Cordless TDBU, Cordless Day & Night**



Handle Hold Down bracket (Optional)

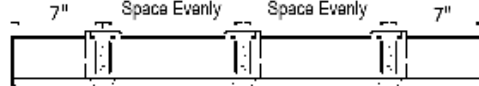
### Hardware Standard Quantity

Order Width (X)	X ≤ 39"	39" < X ≤ 66"	66" < X ≤ 93"	X > 93"
Installation Bracket	2	3	4	5
Handle	1pc for X ≤ 72", 2pcs for X > 72" (Cordless) 2pcs for X ≤ 72", 4pcs for X > 72" (Cordless TDBU & Day & Night)			
1 1/4" Screw for Installation Bracket	4	6	8	10
Hold Down Bracket (Optional)	2	2	2	2
Spacer Block (Optional)	1pc to extend distance 3/8" 2pcs to extend distance 1 1/16"			
2" Screw for Installation Bracket with Spacer Block (Optional)	4	6	8	10
3/4" Screw for Hold Down Bracket (Optional)	4	4	4	4

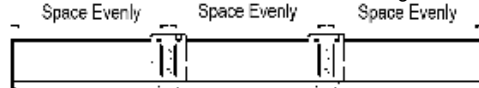
Note: Optional flat head screws included. Use as needed.

### Step 1: Bracket Installation

For shade width > 20", measure 7" from both ends of the head rail. Mark the bracket location on the mounting surface

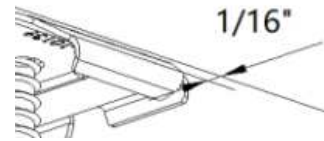


For shade width ≤ 20", space each bracket evenly. Mark the bracket location on the mounting surface

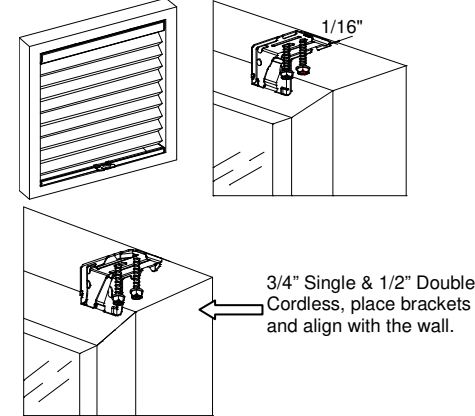


### Side Mount

• Use two 1 1/4" mounting screws to secure brackets. Use wall anchors for drywall or plaster wall.  
Allocate a min. distance of 1/16" from wall to the front of brackets.

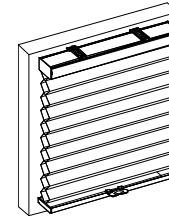


For 3/8" Single, 3/4" Single & 1/2" Double, 3/4" Double & 1 1/4" Single:  
Cordless, Cordless TDBU, Cordless Day & Night



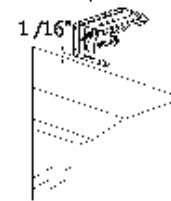
### Outside Mount

• Use two #8 1 1/4" mounting screws to secure brackets. Use wall anchors for drywall or plaster wall.



• For 3/8" Single, 9/16" Single, 3/4" Single & 1/2" Double, Cordless, Cordless TDBU, Cordless Day & Night

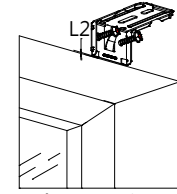
• Allocate a min. distance of 1/16" between the end of brackets and the top of window frame.



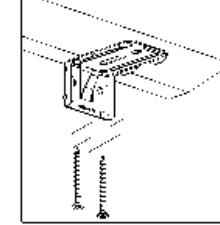
• For 3/4" Double & 1 1/4" Single, Cordless, Cordless TDBU, Cordless Day & Night

Allocate a min. distance of L2 between the end of the brackets and the top of the window frame.

(0 ≤ L2 ≤ 1/4")



\* For shallow mounting, use 1pc or 2pcs of flat head screw to secure the bracket as below.



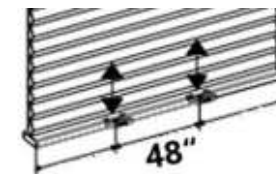
### Step 2: Shade Installation

- Position headrail at an angle so that it is hooked to the front of the bracket. Then push it upward to snap into the brackets.
- For proper installation, start by attaching the front of the rail to the bracket.
- For easier installation, lower the middle rail of cordless TDBU away from the headrail before installing the headrail.



### Step 3: How to Install Shade Handle

⚠ For order width > 72", the distance between the 2 handles should be 48" as below.



### Middle Rail:

Position the handle at an angle so that it is hooked to the rib at the top of the bottom rail. Then push the handle downward to snap into place. You will hear a loud click sound once the handle is properly secured.

### Getting Started

Remove shade from package. Save packaging until shade is installed and working to your satisfaction.

### Tools:

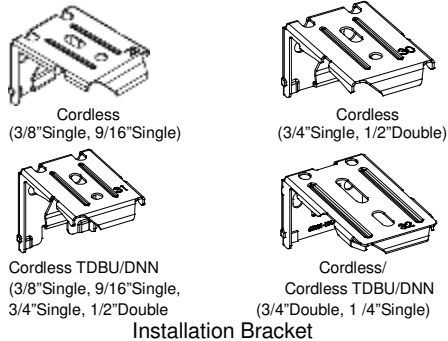
- Level
- Measuring Tape
- Pencil
- Power drill (1/4" hex driver and drill bit)
- Screwdriver



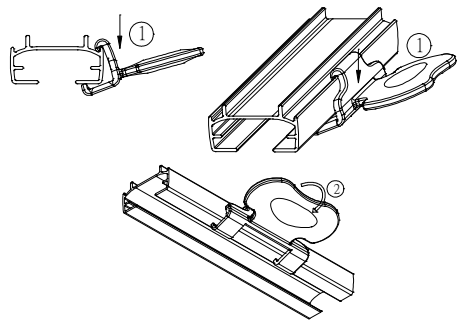
You will need to use the following fasteners for your particular mounting surface.

Surface	Fastener
Wood	#8 1 1/4" Screws (Provided) #6 3/4" screws
Drywall/Plaster	Wall Anchors, Expansion Bolts (Not Provided)
Metal	Sheet Metal Screws (Not Provided)

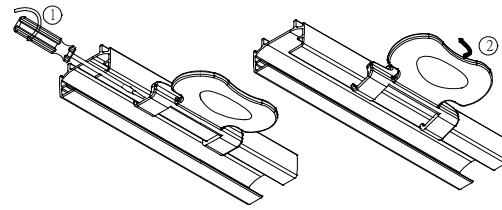
### Check Components/Hardware:



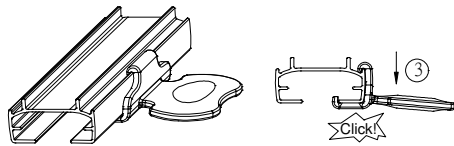
Installation Bracket



### Middle Rail

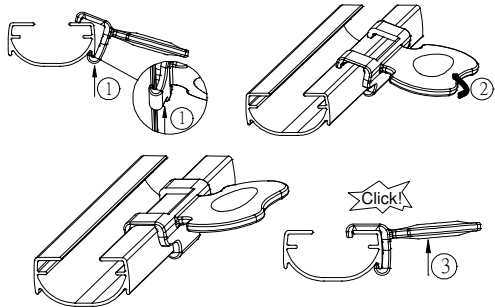


### Bottom Rail



### Bottom Rail:

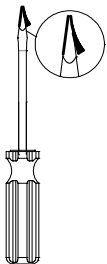
Position the handle at angle so that it is hooked to the rib on the bottom of the bottom rail. Then push the handle upward to snap into place. You will hear a loud click sound once the handle is properly secured.



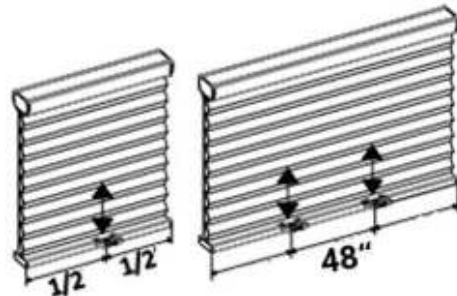
### How to Remove Shade Handle

Use a flat head screwdriver to remove both hooked parts. When the hooked parts are loosened, the handle will easily come off.

(To avoid scratching the rail with the screwdriver, please put a piece of adhesive tape on the head of the screwdriver before removing the handle from the rail.)



### Shade Operation



**To lower the shade**, gently pull down the shade by the bottom rail handle and stop at the desired location.

**For TDBU & Day & Night**, pull down the bottom rail first before lowering the middle rail.

**To raise the shade**, gently raise the shade by the bottom rail handle to desired height.

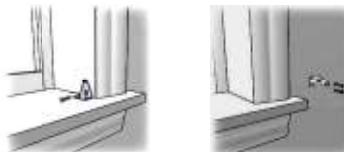
**For TDBU & Day & Night**, if the shade will not lift, first lower the middle rail completely to the bottom rail. Raise both up together.

⚠ Do not grasp the rail unevenly. Always lower or raise the shade in the middle or use even pressure with both hands to operate both handles on the rail.

### How to Install Hold Down (optional)

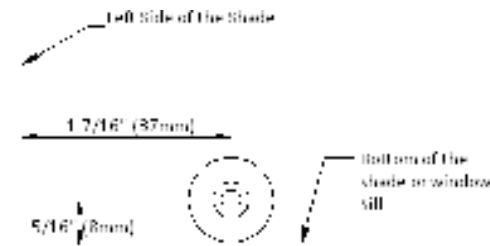
#### A. For Hold Down Brackets.

Use #6 3/4" screw to secure each bracket.



#### B. For Magnetic Hold Down

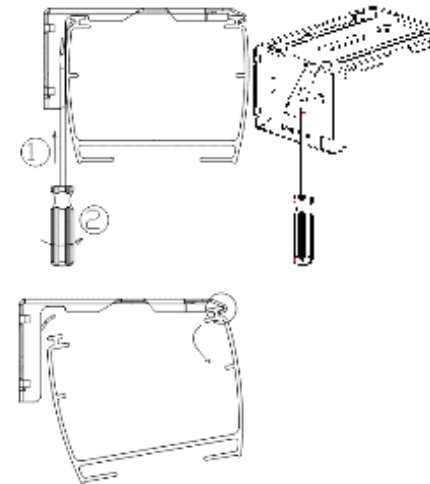
Use M3x15mm screw to secure the magnet catch at the below location. Make sure the magnet catch align with the pre-installed magnet on shade bottom rail.



### Remove the Shade

**For cordless**, fully raise the shade.

**For TDBU / Day & Night**, Lower the middle rail. Gently pry the bracket off the head rail with a flat screwdriver as below picture. Remove the shade.

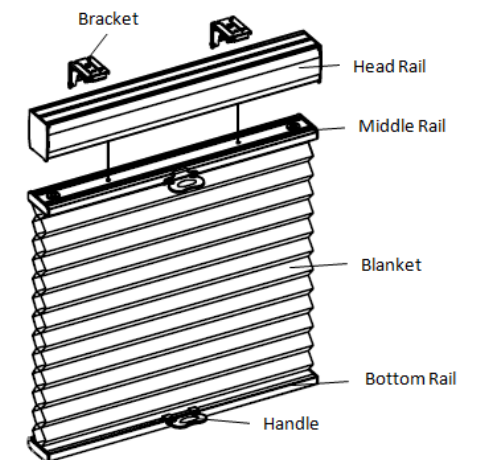


### Cleaning the Shade

Routine cleaning will help maintain the beauty of your shade. The shade can be cleaned by using a soft brush, vacuumed with a low suction hand-held vacuum, cleaned ultrasonically (specify that a mild solution must be used and that the head rail should never be immersed in liquid). Spot cleaning is not recommended, but if necessary, dampen a clean cloth with a solution of warm water and mild detergent to dab the spot until it's gone (do not rub!).

### Troubleshooting

Problem	Solution
The shade will not snap into the mounting brackets	Check if mounting brackets are aligned. Refer to below drawing.
The shade will not lift	Gently pull down on the bottom rail to reactivate the cordless mechanism. Repeat if necessary. For TDBU & Day&Night, pull the midrail down fully to the bottom first. Then raise the bottom rail and middle rail up together.
The shade stack up unevenly	Lower the shade completely. Then raise it up to correct it. Repeat if necessary.



*Some options listed may not be applicable.*