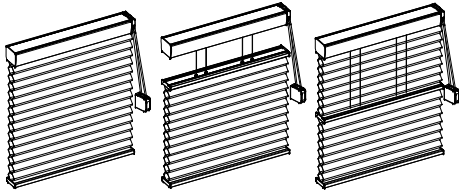


N301168
65101-11913

Installation Instructions Honeycomb Shades

Cordloop & Cordloop TD & Cordloop Day & Night & SmartRelease Cordloop



Getting Started


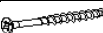
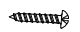


Remove shade from package. Save packaging until shade is installed and working to your satisfaction.

Tools:

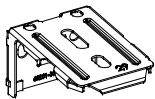
- Power drill
- Tape measure
- Screwdriver
- Level
- Pencil



Installation Screws

Surface	Fastener
Wood	#8 1 1/4" Screws (Provided) 
	M4x48mm screws (Provided) 
	#6 3/4" screws (Provided) 
Drywall/Plaster	Wall Anchors, Expansion Bolts (Not Provided) 
Metal	Sheet Metal Screws (Not Provided) 

Check Components/Hardware:



Installation Bracket



Hold Down Brackets (Optional)

Hardware Standard Quantity

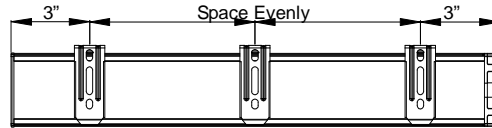
Order Width (X)	X ≤ 39"	39" < X ≤ 66"	66" < X ≤ 93"	93" < X ≤ 120"
Installation Bracket	2	3	4	5

Order Width (X)	X ≤ 39"	39" < X ≤ 66"	66" < X ≤ 93"	93" < X ≤ 120"
1 1/4" Screw for Cord Tensioner	2	2	2	2
1 1/4" Screw for Installation Bracket	4	6	8	10
3/4" Screw for Hold Down Bracket (Optional)	4	4	4	4
2" Screw for Installation Bracket with spacer block (Optional)	4	6	8	10
Hold Down Bracket (Optional)	2	2	2	2
Spacer Block (Optional)	1pc for extend distance 10mm 2pcs for extend distance 18mm			

Note: Optional flat head screw included. Use as needed.

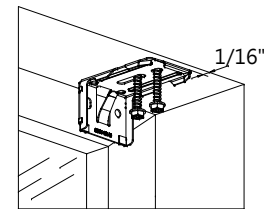
Step 1: Bracket Installation

Measure 3" from both ends of the headrail. Mark bracket location on the mounting surface.

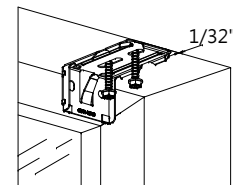


Inside Mount

Use two #8 1 1/4" mounting screws to secure brackets. Use wall anchors for drywall or plaster wall.



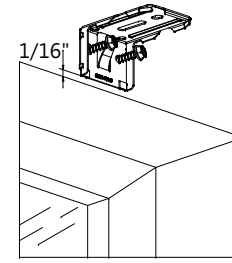
For 3/8" Single, 1/2" Double, 9/16" Single, 3/4" Single, allocate a min. distance of 1/16" from wall to the front of brackets as left drawing shows.



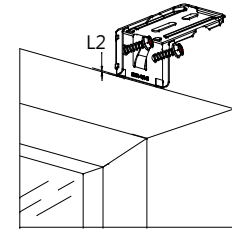
For 1 1/4" Single, 3/4" Double, allocate a min. distance of 1/32" from wall to the front of brackets as left drawing shows.

Outside Mount

Use two #8 1 1/4" mounting screws to attach each bracket. Use wall anchors for drywall or plaster wall.

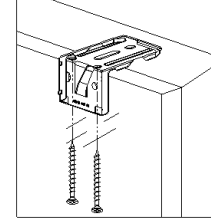


For 3/8" Single, 1/2" Double, 9/16" Single, 3/4" Single allocate a min. distance of 1/32" from wall to the bottom of brackets as left drawing shows.



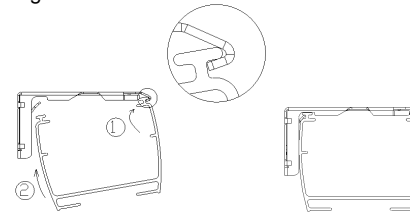
For 1 1/4" Single, 3/4" Double, allocate a min. distance of 1/32" from wall to the bottom of brackets as left drawing shows.

*** For shallow mounting, using 2pcs of flat head screw to secure the bracket as below.**



Step 2: Shade Installation

Position the headrail at an angle so that it hooks into the front of the bracket. Then push upward to snap the headrail into the brackets. For proper installation, start by attaching the front of the rail to the bracket. For easier installation, lower the middle rail of cordless TDBU away from the headrail before installing the headrail.



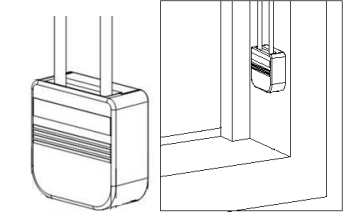
Step 3: Cord Tensioner Installation

Both Inside mount & Outside mount Cord Loop

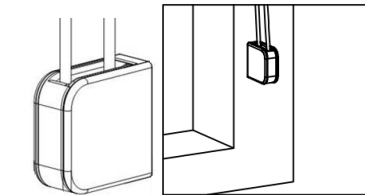
cord tensioners will be provided with the shade regardless of the mount type. The Cord Loop cord tensioner pre-attached on the cord will be determined by order mount type. You may find the other type of cord tensioner in the hardware box.

Please refer to another installation instruction in hardware box for learning installation and exchange steps of IM & OM Cord Tensioner.

IM Cord Loop Cord Tensioner



OM Cord Loop Cord Tensioner

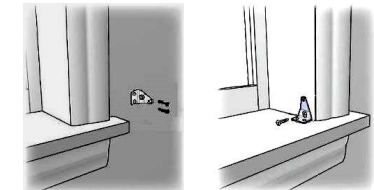


★ Congratulations! You have finished installing the shade.

How to Install Hold Down Brackets (optional)

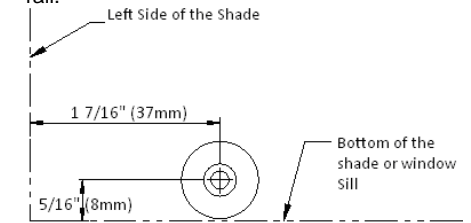
A. For Hold Down Brackets.

Use #6 3/4" screw to secure each bracket.



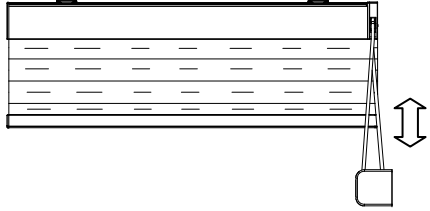
B. For Magnetic Hold Down

Use M3x15mm screw to secure the magnet catch at the below location. Make sure the magnet catch aligns with the pre-installed magnet on shade bottom rail.



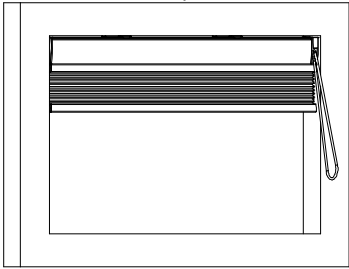
Shade Operation

● **For Cordloop**, Pull cord to operate shade. Cord Tensioner must be fully tightened prior to operating the shade.

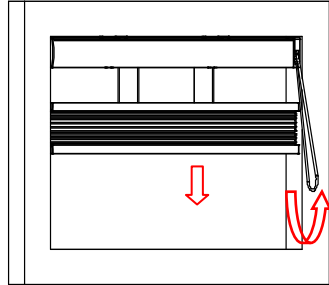


● **For Cordloop TD & Cordloop Day & Night**, Cord Tensioner must be fully tightened prior to operating the shade.

Original status is as below picture.



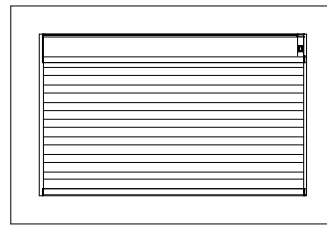
Pull the control cord as the arrow direction in below picture. The middle rail & bottom rail will go down together as below.



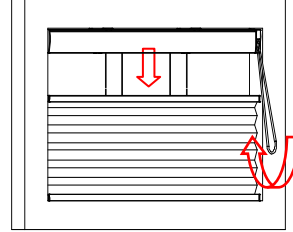
Go on pull the control cord as arrow direction, the bottom rail will stop once reach the bottom, but the middle rail will go up to the top.



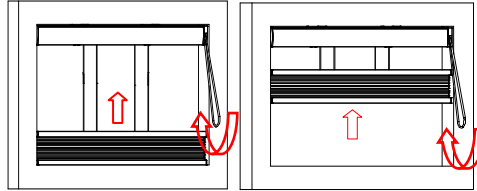
The middle rail will stop when meet with the head rail.



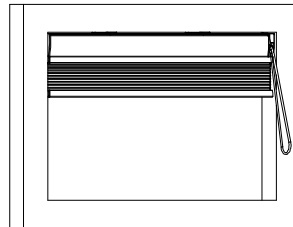
Pull the control cord as below arrow direction, the middle rail will go down.



Go on pull the control cord as below arrow direction, once the middle rail reach the bottom, the middle rail & bottom rail will go up together.



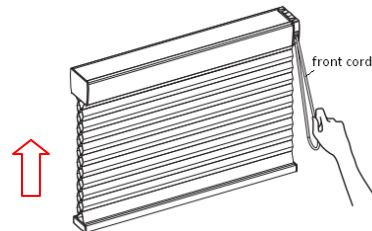
The middle rail & bottom rail will stop once meet the head rail.



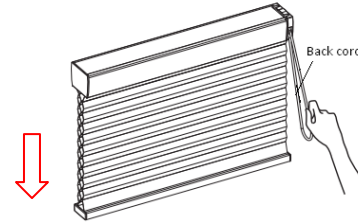
● **For SmartRelease Cordloop**,

Cord Tensioner must be fully tightened prior to operating the shade.

Pull the front control cord to let the shade go up.



Pull the back control cord, the shade will go down automatically, till it fully close. If want to stop the shade go down, only need to pull the front control cord a little.

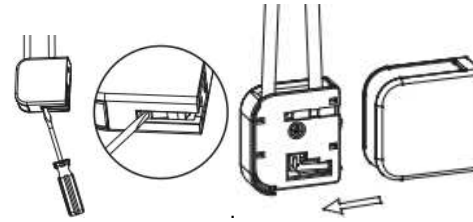


Note: the control cord cannot be too tightened / taut when installing due to its own system character. There should be no obstruction when the shade going down.

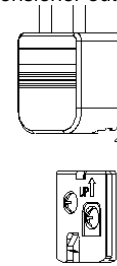
Please do not play the bottom rail and control cord which may harm the shade.

Remove the Cord Tensioner

OM: Hold the tab up with a small screwdriver and slide the cord tensioner out of its base.

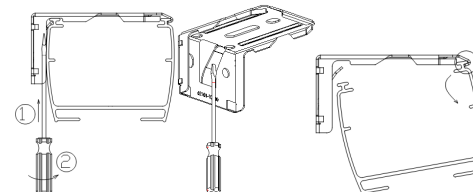


IM: Slide the cord tensioner out from its base.



Shade Removal

- Fully raise the shade.
- Gently pry the bracket off the head rail with a flat screwdriver.
- Remove the shade.



Note

- Keep away from heat, sparks and open flame.
- Larger windows may require two people for installation.
- During installation, firmly support the shade to avoid its falling down. Failure to do so may result in damage to the shade or injury to oneself.
- Only operate shade with the pull cord.
- To ensure child safety, install cord cleat and tighten up any loose cords after the shade is installed

Cleaning

Routine cleaning will help maintain the beauty of your shade. The shade can be cleaned by using a soft brush, vacuumed with a low suction hand-held vacuum, cleaned ultrasonically (specify that a mild solution must be used and that the headrail should never be immersed in liquid). Spot cleaning is not recommended, but if necessary, dampen a clean cloth with solution of warm water and mild detergent to dab the spot until it's gone (do not rub!)

Troubleshooting

Problem	Solution
For Woven fabric, the repeated rubbing of the fabric edge or when it comes into contact with the edge of the window may cause the fabric to fray slightly.	To remedy, use a pair of fabric scissors to gently trim the fraying.

